

DESCRIPTION:

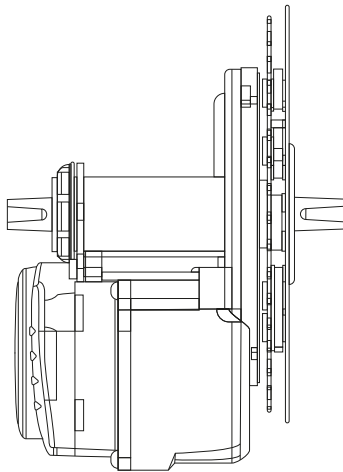
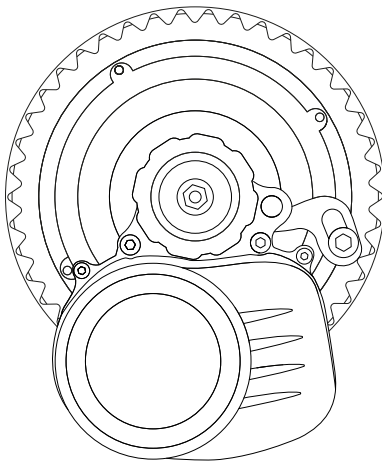
Motor with a nominal power of 250 W contains a controller that allows you to change the driving parameters. Unlike other electric motors, it is mounted in the bottom bracket hole.



FEATURES:

- Compact construction
- Provides perfect center of balance
- Motor integrated with the controller
- 2-year warranty (service in Europe)

SPECIFICATION:



MODEL	MID250
RATED POWER	250W
MOUNTING PLACE	MID-DRIVE
GEARED	YES
BOTTOM BRACKET LENGTH	68-73 MM
WEIGHT	3,9 KG
OTHER	PEDAL PRESSURE SENSOR