

DESCRIPTION:

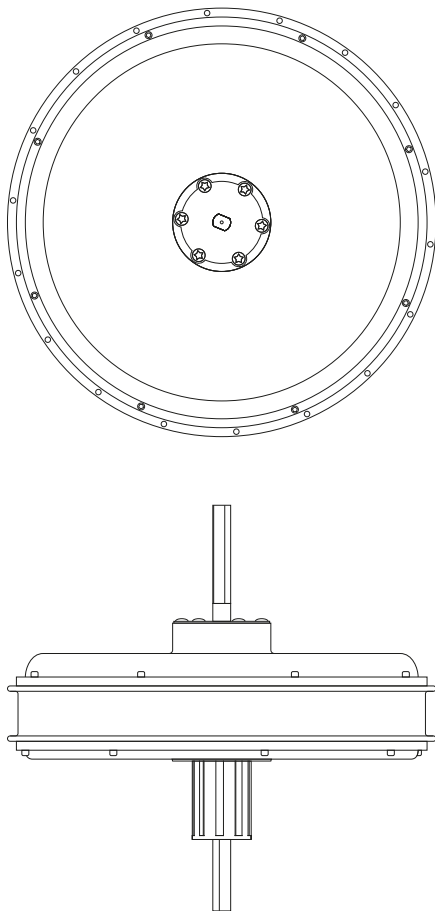
Motor with a rated power of 2000 W - intended for use in FatBikes. It has a larger mounting width than the classic M2000 motor.



FEATURES:

- Made for fatbikes
- Metal braided motor cable - makes it more resistant to abrasion
- Better hall sensors
- 3-year warranty (service in Europe)
- Fits most bicycles

SPECIFICATION:



MODEL	M2000F
RATED POWER	2000W
MAXIMUM LOAD	50A
GEARED	NO
AXIS WIDTH	M14
MOUNT TYPE	CASSETTE
DIAMETER	24 CM
MOUNT WIDTH	170 - 190 MM
DISC BRAKE WIDTH	YES
WEIGHT	7,3 KG
OTHER	TOTAL AXLE LENGTH - 29 CM