

DESCRIPTION:

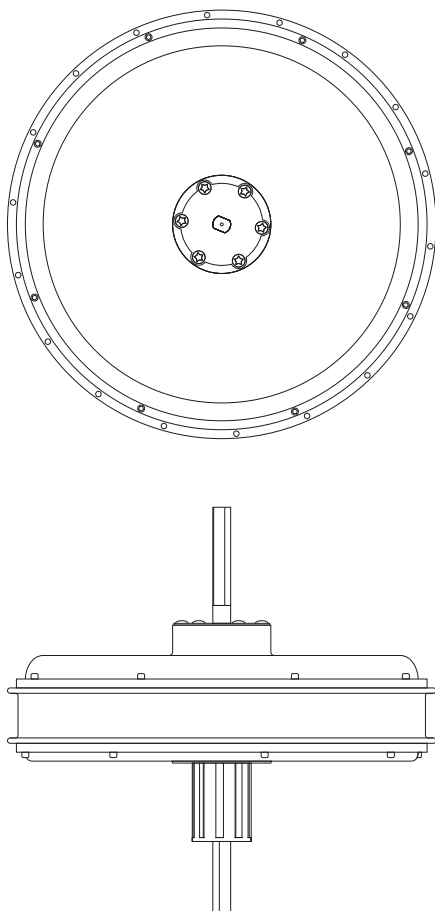
Universal motor with a rated power of 2000 W, which will satisfy both speed-driving amateurs and those who value support during riding uphill.



FEATURES:

- Thicker M14 axis
- Metal braided motor cable - makes it more resistant to abrasion
- Better hall sensors
- 3-year warranty (service in Europe)
- Fits most bicycles

SPECIFICATION:



MODEL	M2000
RATED POWER	2000W
MAXIMUM LOAD	50A
GEARED	NO
AXIS WIDTH	M14
MOUNT TYPE	CASSETTE
DIAMETER	28 CM
MOUNT WIDTH	137-145 MM
BRAKE DISC MOUNT	YES
WEIGHT	6,5 KG
OTHER	5,5T WINDING