

DESCRIPTION:

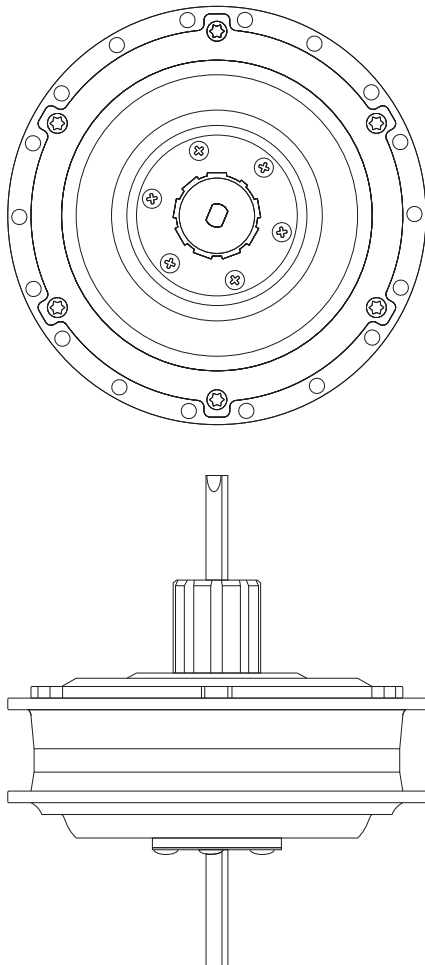
1000 W gear motor, for people who appreciate high performance, and light design – it weighs only 3.9 kg. The motor is an integral part of the Rapid S1100 SL kit.



FEATURES:

- Small size and weight - great performance
- Metal braided motor cable - makes it more resistant to abrasion
- 3-year warranty (service in Europe)
- Build-in temperature sensor

SPECIFICATION:



MODEL	M1000 SL
RATED POWER	1000W
MAXIMUM LOAD	30A
GEARED	YES
AXIS WIDTH	M12
MOUNT TYPE	CASSETTE
DIAMETER	16 CM
MOUNTING WIDTH	135-142 MM
BRAKE DISCS MOUNT	YES
WEIGHT	3,9 KG
OTHER	WIRE LENGHT: 25 CM + 85 CM EXTENSION WIRE